

# LABOTEK

MCHigh Output G



# MCHigh Output G

## Working principles

The unit has a built in weighing module that connects the 2 load cells to measure precisely the throughput by the loss-in-weight principle. This full gravimetric system continually calibrates the dosage and adjusts itself automatically. The refilling of the MCHigh Output is controlled by a pneumatic operated knife valve at the top flange. The MCHigh Output can communicate by using standard Ethernet. Optional an analogue output is available.

## Technical Specifications

Power supply: 80 VAC to 260 VAC, 50 and 60Hz by integrated automatic voltage selector

Capacity: From 50 kg/h up to 1000 kg/h

Power consumption: 80 Watt max.

Operating temp.: -20°C to +180°C

Operating temp. Controller: -20°C to +70°C

Language: English, German \*

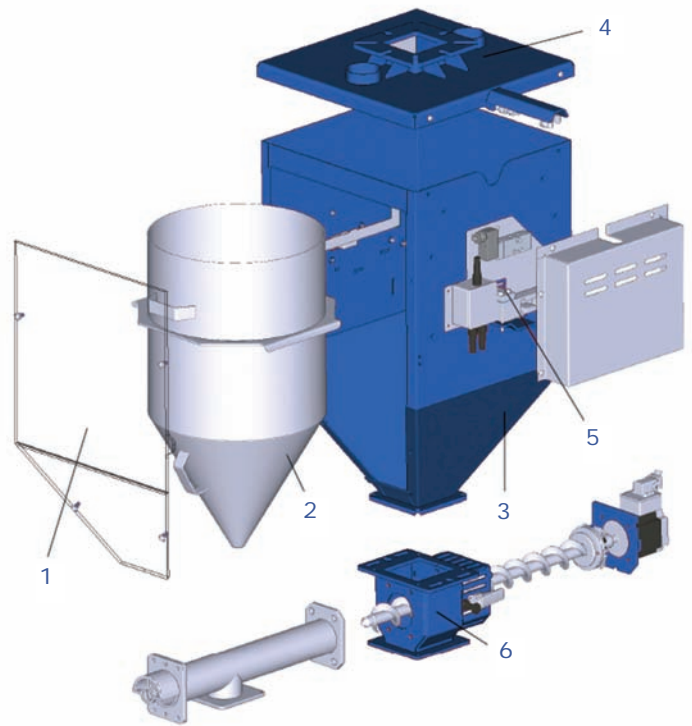
Operation: Menu guided control

Input signals: Potential free- or 24 Vdc start input

Output signals: Alarm

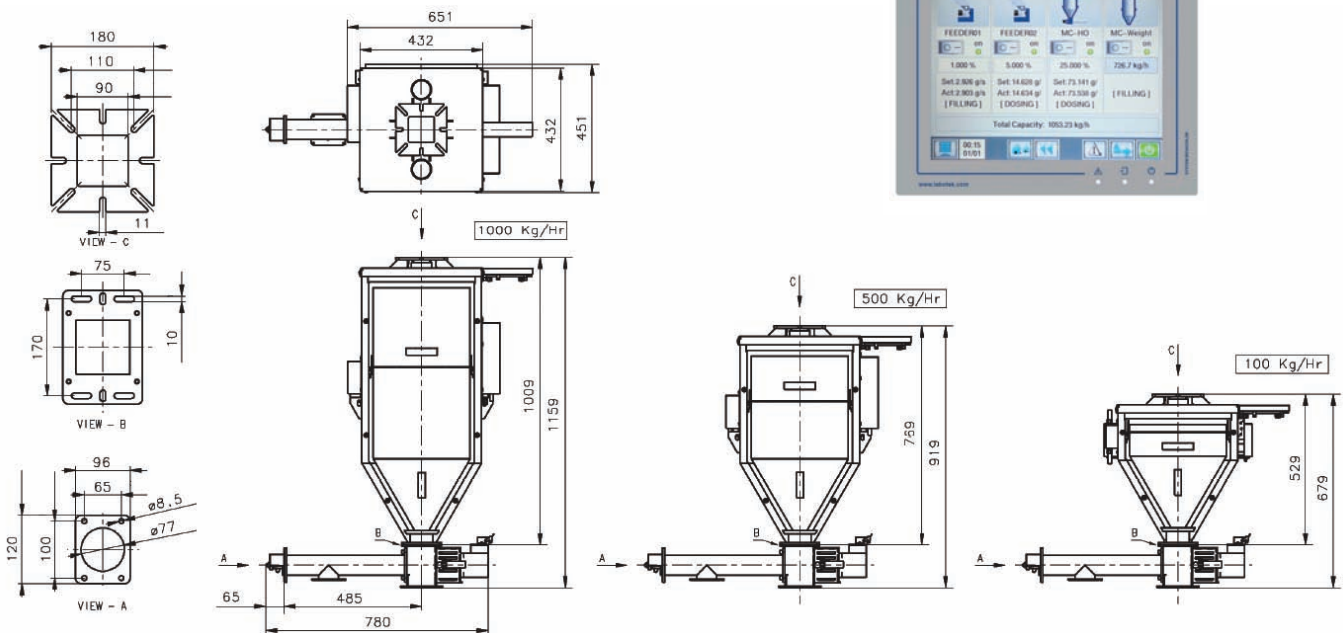
Data storage: Internal memory (static changes) MC-LAN data logging software (dynamic changes)

External communication: Standard PC link using TCP/IP or Modbus-TCP protocol



- 1 Window
- 2 Weighing hopper (40 liter)
- 3 Framework
- 4 Body
- 5 Lid including knife gate
- 6 Motor / screw assembly

\*) Other languages on request



## Labotek A/S

Stroebjergvej 29, DK-3600 Frederikssund  
 Tel +45 4821 8411 | Fax +45 4821 8000  
 info@labotek.dk | www.labotek.com

