

# DDL-Mobile

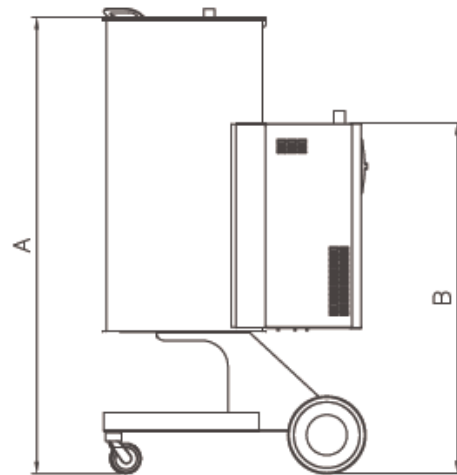
Dessiccant Dry Loader Mobile  
Optimised for energy saving



# Desiccant Dry Loader DDL-Mobile

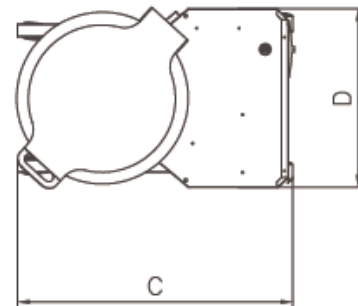
## Standard Features

- Significant energy savings via moisture dependant regeneration system
- Over drying protection system (LESS)
- Graphic user interface via colour touch screen
- Available in 4 sizes; 25, 40, 75, and 100 litre
- All raw material contact points, made of stainless steel.
- Range of drying 60-140°C (60-180°C in HT version).
- Filter protected system preventing cross contermination of desiccant bed
- Built-in vacuum conveying control
- Low noise level
- Built-in vacuum conveying system
- 3 years warranty, excl. wear parts



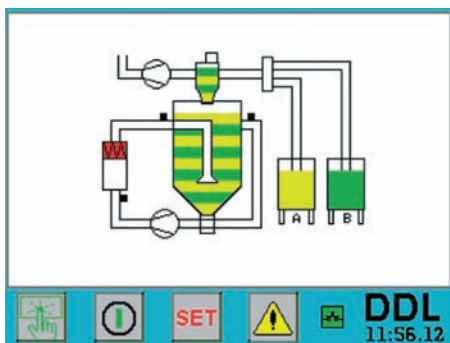
## Options

- Magnet grid in Catchbox
- Built-in dew point sensor
- Alarm lamp



Type DDL	25/25	25/40	40/75	40/100
A	1057	1252	1368	1583
B	988	988	1117	1117
C	840	840	853	853
D		508		

DDL-I Type	DDL-I 25/25	DDL-I 25/40	DDL-I 40/75	DDL-I 40/100
Air volume (m <sup>3</sup> /h)	25	25	40	40
Drying Hopper, sizes (litre)	25	40	75	100
Dewpoint, temp. °C	Better than -30°C			
Drying time	60-180 min.			
Regeneration time	20-35	20-35	21-38	21-38
Power supply	3 x 380-415 V, 50/60 Hz			
Power consumption max.	2.6 kW	2.6 kW	3.4 kW	3.4 kW
Blower capacity	0.4 kW	0.4 kW	0.4 kW	0.4 kW



Example of screen shot from touch screen control



## Labotek A/S

Stroebjergvej 29, DK-3600 Frederikssund  
 Tel +45 4821 8411 | Fax +45 4821 8000  
 info@labotek.dk | www.labotek.com

