

Labotek EHR

External Heat Recovery



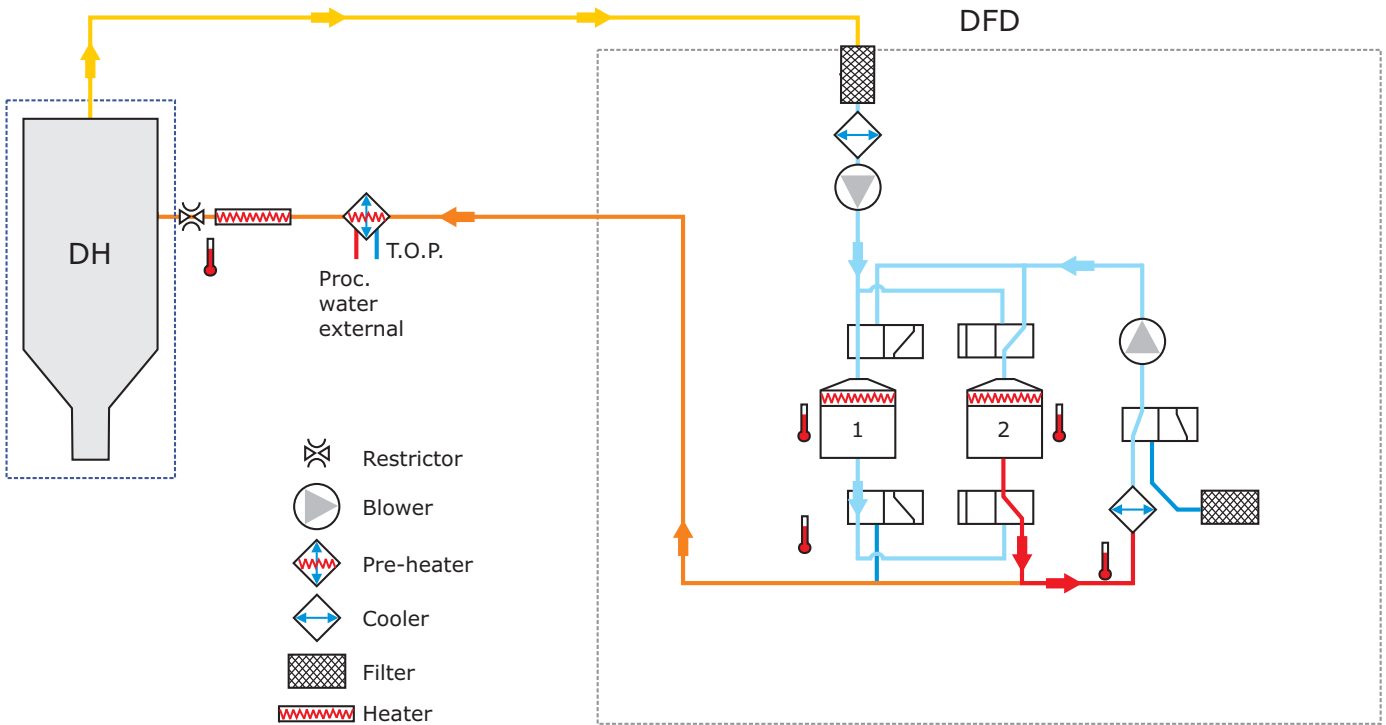
External Heat Recovery (EHR)

External Heat Recovery (EHR) operates with external hot water, ex from compressor cooling, power utility or other processes in the plant.

The EHR enables to utilize the hot water and transfer into process air in Labotek drying systems, through high efficient air/water heat exchange devices.

Energy saving are massive and depending on the temperature/flow of the water available, savings of electrical power up to 85% are achievable.

Please consult your local Labotek representative for detailed calculation on energy savings and further product information about this unique energy preserving technology.



Labotek
offers 3 years
warranty
- excluding wear parts

Labotek A/S

Stroebjergvej 29, DK-3600 Frederikssund
Tel +45 4821 8411 | Fax +45 4821 8000
info@labotek.dk | www.labotek.com

 **Labotek**
Power in Plastics