

RAPID PRO-SENSE

High-performance metal separator for free-fall applications

- Accurate inline detection and separation of magnetic and non-magnetic metal contaminations, even if such contaminations are enclosed in the product
- Accurate and reliable metal detection for quality inspection in plastics and compound production
- Protects against customer complaints
- Protects processing machines and moulds against damage and choking, reduces production downtimes
- Offers a rapid return on investment



RAPID PRO-SENSE

Performance features

- Highest scanning sensitivity for all metals due to innovative HRF technology (High Resolution Frequency)
- Modular system design for optimal adaptation to customer- and material-specific requirements
- Auto-learn function or manual product effect compensation for optimal compensation of the intrinsic conductivity of the material to be inspected
- Cleaning and auto-clean systems available as an option
- Low mounting height even with large nominal widths guarantees easy integration of the metal separator in existing pipe systems
- Quick and easy installation due to Jacob standard connections
- Increased interference immunity to electrosmog and vibration
- Outstanding ease of operation with GENIUS ONE Control Unit with 5" touchscreen
- Product-contacting metal components completely made of stainless steel 1.4301 (AISI 304)

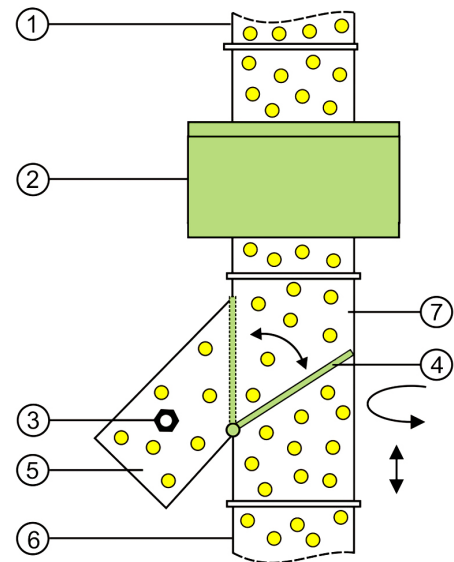
Application:

The RAPID PRO-SENSE metal separator primarily is used for quality inspection (product purity) in the production and compounding of plastic granulate, where it typically is installed directly before the material is filled in bigbags, octabins, or silos. The metal separator also is used for quality inspection in the incoming goods department of plastic-processing plants (product purity, machine protection).

Function

The RAPID PRO-SENSE metal separator is used for the inspection of bulk materials in free-fall conveyor pipes. It detects and separates all magnetic and non-magnetic metal contaminations (especially also stainless steel, aluminium, non-ferrous metals, ...) – even if such contaminations are enclosed in the product. The reject unit reliably separates metal contaminations from the conveyed material flow.

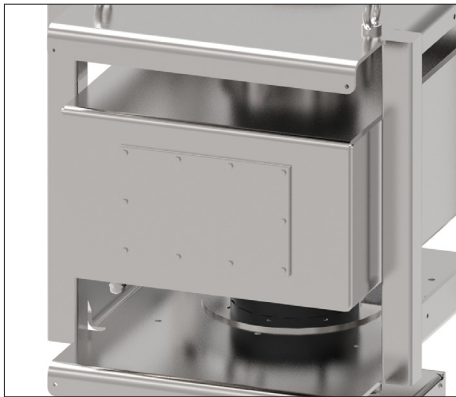
The RAPID PRO-SENSE metal separator predominantly is used for the quality inspection of bulk materials in plastics and compound production.



- ① Infeed
- ② Detection coil
- ③ Metal contamination
- ④ Separation flap
- ⑤ Waste rejection
- ⑥ Material outlet
- ⑦ Separation unit (turnable, removable)



HRF technology (High Resolution Frequency)



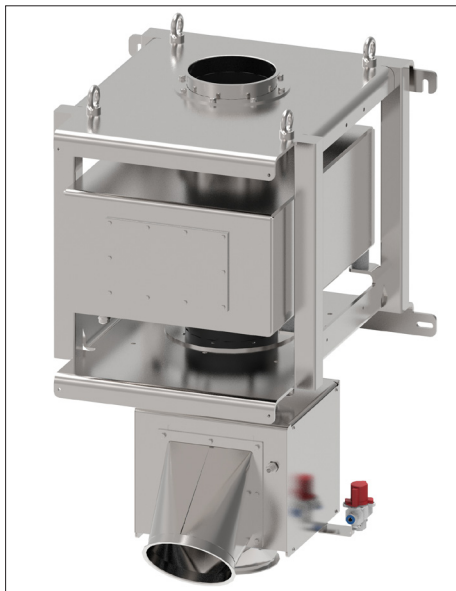
Detection unit with innovative HRF technology

The detection unit with innovative HRF technology (High Resolution Frequency) was developed especially to ensure an optimal scanning sensitivity for all metals. The detection signal is transmitted with a special frequency and evaluated. In addition to ferrous and non-ferrous metals, even smallest particles of non-magnetic stainless steel can now be detected and separated even more efficiently.

GENIUS ONE Control Unit:

- Digital signal processing and quartz-stabilised detection frequency
- State-of-the-art microprocessor technology with self-monitoring, self-balancing, and temperature compensation
- Product compensation with auto-learn function
- Multi-product memory for up to 300 products
- Password protection/access protection
- Special EMC combination filter to suppress external interference

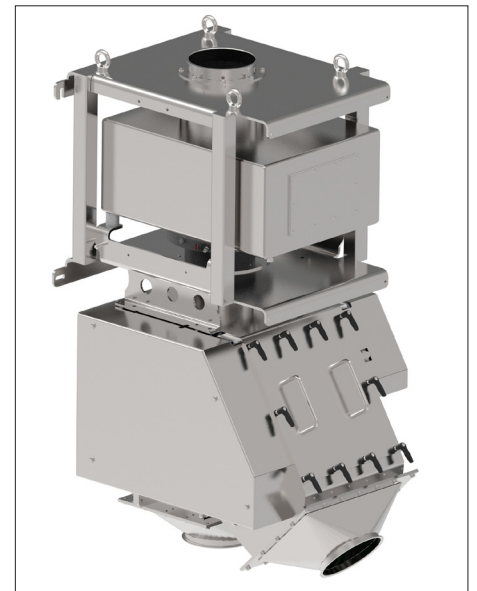
Modular system concept:



Standard reject unit "Quick-Flap"



Round reject unit for powder



Reject unit with swivel hopper for special materials
(Image contains options)

Scope of delivery:

- Metal separator with integrated detection unit and reject unit (with Jacob quick-connect fasteners)
- Detached GENIUS ONE Control Unit



Electronic Control Unit GENIUS ONE

Options/accessories:

- Round reject unit for the inspection of materials containing powder
- Hopper reject unit for the inspection of special materials, or for special requirements concerning cleanability and wear protection
- Cleaning and auto-clean units depending on the reject unit
- High-temperature design
- Special design for abrasive bulk materials
- Insight.Net and InsightLog.Net control and evaluation software
- Magnet systems for the pre-separation of ferrous metals
- Optical and acoustical signalling devices
- Digital event counter
- Compressed-air monitor

Sesotec GmbH

Regener Straße 130
D-94513 Schönberg
Germany
Tel. +49 8554 308-0
Fax +49 8554 2606
info@sesotec.com
www.sesotec.com

Sesotec system world



Detecting and separating contaminants:

Removing contaminants:

- metals
- plastics
- glass
- ceramics, porcelain, stones
- and many others

Removing from (good material):

- bulk materials
- liquids and pastes
- individually packaged product
- packed and loose items

Product types:

- end-products (food, textiles, plastics etc)
- industrial raw materials
- recycled materials

can be integrated into all types of conveyor systems



Detecting and separating sub-standard products:

Qualitative defects:

- incorrect colour
- agglomerations
- breakages
- air inclusions in packs
- incorrect positioning / distribution

Quantitative defects:

- incorrect weight
- count errors (incorrect number of items in package)

Product types:

- end-products (food, textiles, plastics etc)
- industrial raw materials
- recycling materials

can be integrated into all types of conveyor systems



Sorting mixed materials into single fractions:

Types of material:

- glass
- plastics
- metals
- and many others

Delivery flows:

- bulk materials
- individually packaged product

can be integrated into:

- conveying systems
- bulk material flows

Operating Companies:



Sesotec ASM S.r.l.

Bologna
Italy
info.asm@sesotec.com
www.sortingasm.com



Sesotec Inc.

Bartlett
USA
info@sesotec.us
www.sesotec.us



Sesotec Canada Ltd.

Cambridge
Canada
info@sesotec.us
www.sesotec.ca



Sesotec Pte. Ltd.

Singapore
info@sesotec.com.sg
www.sesotec.com.sg



Sesotec Pvt. Ltd.

Pune
India
info.india@sesotec.com
www.sesotec.com



Sesotec Shanghai Co. Ltd.

Shanghai
China
enquiry@sesotec.com.cn
www.sesotec.com.cn



Sesotec Thailand Ltd.

Bangkok
Thailand
info@sesotec.com
www.sesotec.com

... and more than 40 agencies worldwide

Made in Germany

For further information or to discuss your particular application contact one of our specialists.

www.sesotec.com



**Choose the Original
Choose Success!**